

Kripsol Karpa KA-300
(48 3/ 380)



1.

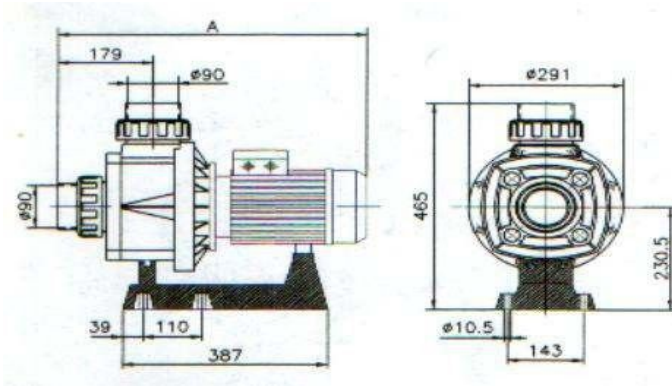
1.1. _____.

Kripsol Karpa KA-300

_____ : _____ (_____ , _____ , _____)
 _____ ;

1.2 _____.

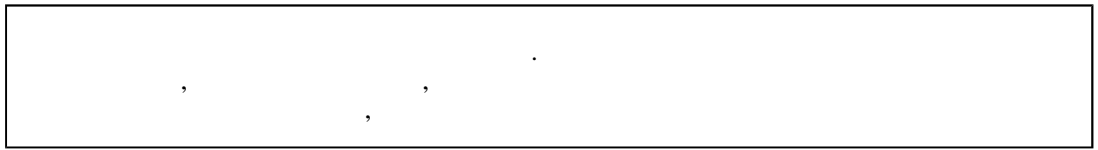
Kripsol Karpa KA-300 1 1



		540 ()	291	465
--	--	---------	-----	-----

1.3. _____.

ВНИМАНИЕ !!!



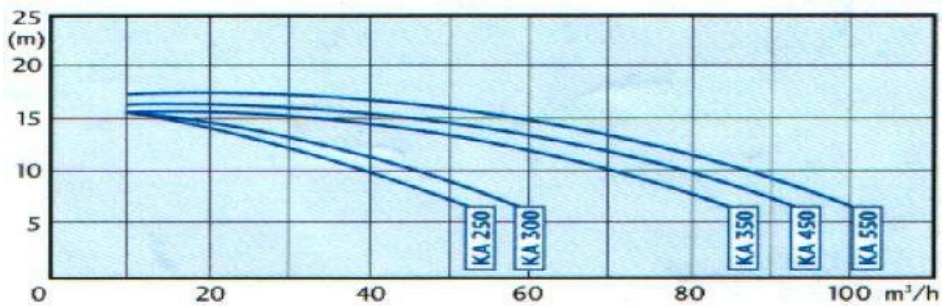
Kripsol Karpa KA-300

4.2 15150.

Kripsol Karpa KA-300 1 1

		~ 380
	%	± 4%
		2,76
		5,1
	-	I
	-	F
	-	IP 54
		21,5
	°	+10 +35
	%	60
	°	45
		2,5
		90
		90

Kripsol Karpa KA-300 2 1

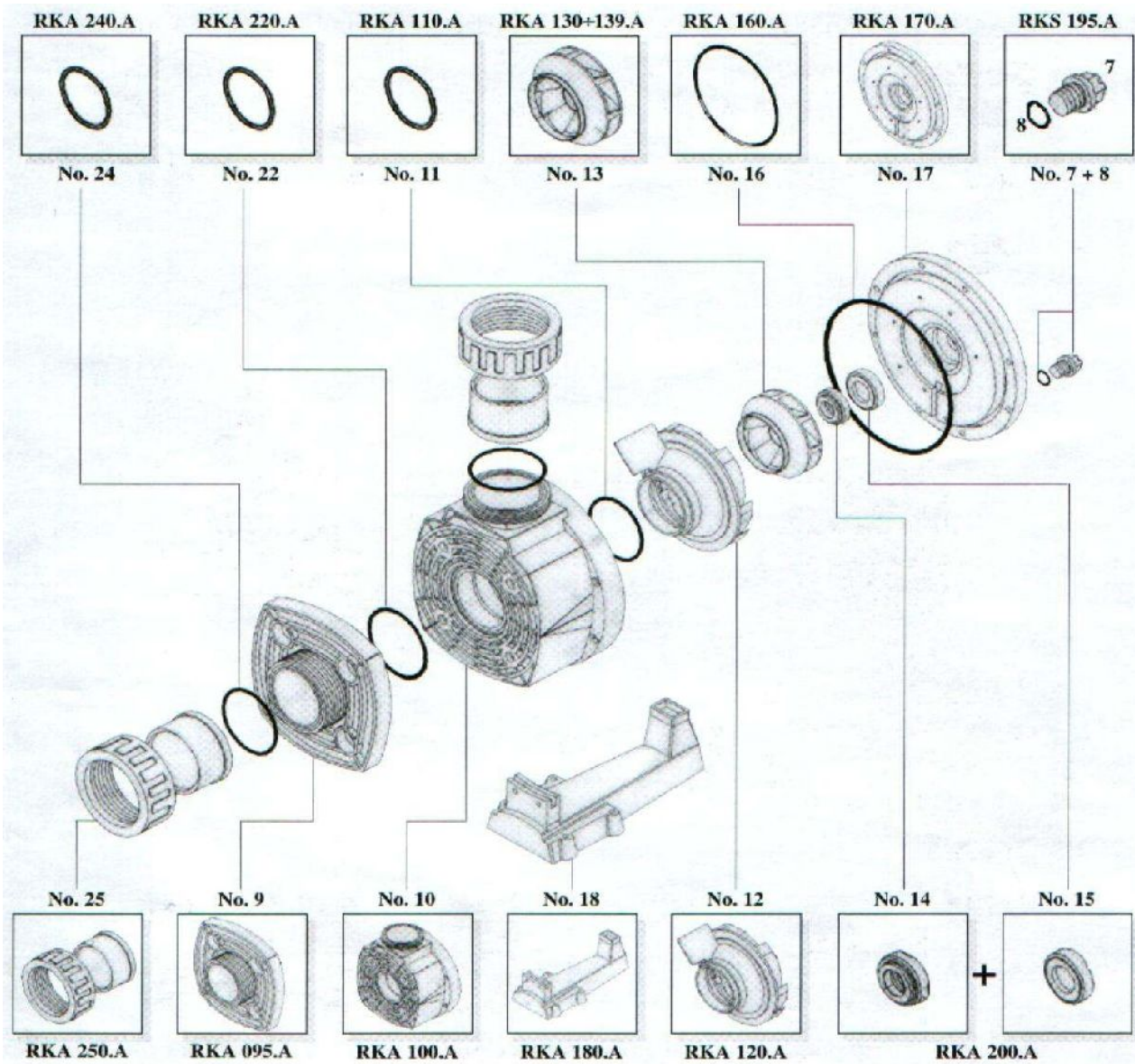


		6	8	10	12	14	16	18	20
()	.	60	54	45	37	25	10	-	-

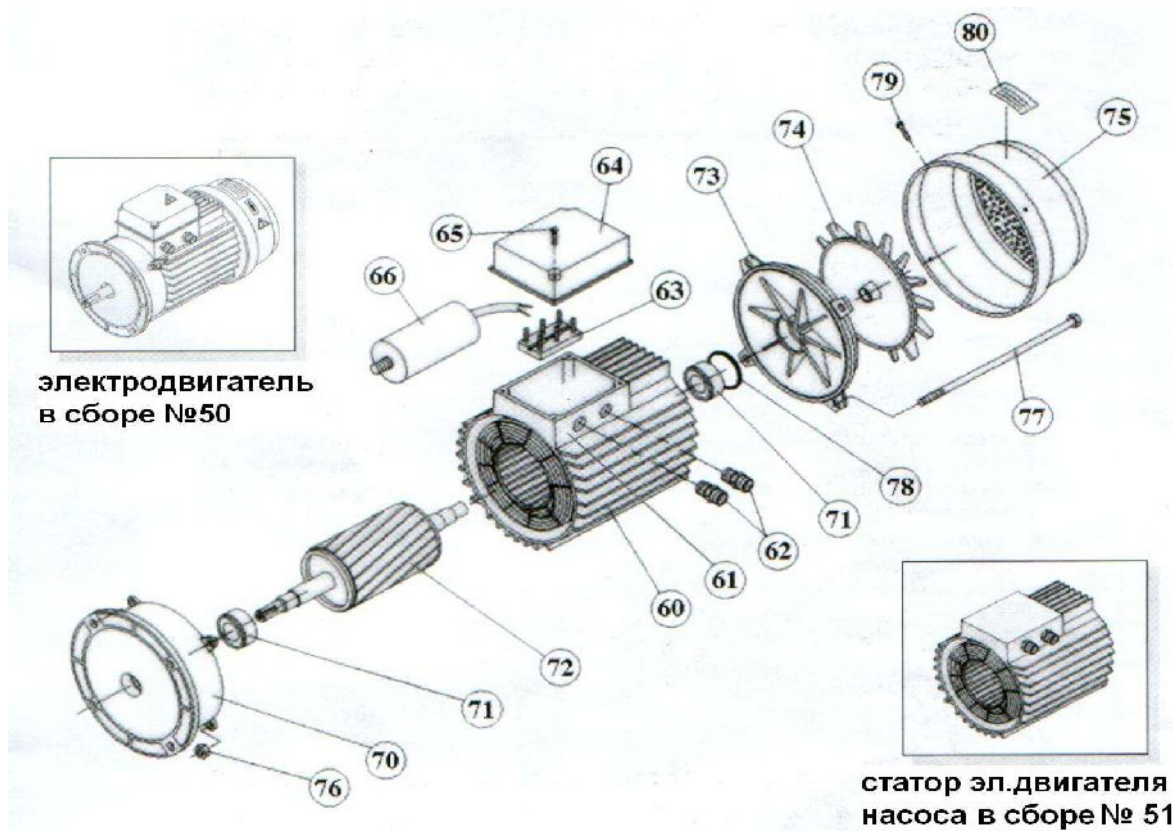
1.4. _____

Kripsol Karpa KA-300

4



7+8	OK,NK,KS,KAP Kripsol RKS 195.A/7
9	KA Kripsol RKA 095.A
10	KA, KAP Kripsol RKA 100.A
11	- KA, KAP Kripsol RKA 110.A
12	KA/KAP Kripsol RKA 120.A
13	KA-300 Kripsol RKA 133.A
14+15	(.2) KA/KAP Kripsol RKA 200.A
16	() KA/KAP Kripsol RKA 160.A
17	() / Kripsol RKA 170.A
18	KA,KAP Kripsol RKA 180.A
22	- KA/KAP Kripsol RKA 220.A
24	- , Kripsol RKA 240.A
25	, .90 Kripsol RKA 250.A



50	КА/КАР-300 (380) Kripsol (5044.A)
51	КА/КАР-250 (380) Kripsol (5144.A)
60	()
61	()
62	()
63	()
64	(6405.) KS-150, 200, 300 КА/КАР-250,300 (-80) Kripsol
65	
66	
70	KS-150, 200, 300 КА/КАР-250,300 (-80) Kripsol (7004.A)
71	() . .KS,КА/КАР(-80) ()КА/КАР(-90) Kripsol 6204-ZZ
71	() . KS-150, 200, 300 КА/КАР-250,300 (-80) Kripsol 6203-ZZ
72	КА/КАР-300 (380) Kripsol (7244.)
73	KS, КА/КАР-250,300 (-80) Kripsol (7303.A)
74	KS-150, 200, 300, КА,КАР-250, 300 (-80) Kripsol (7403.A)
75	KS-150, 200, 300 КА/КАР-250,300 (-80) Kripsol (7503.A)
76	
77	КА/КАР
78	КА/КАР
79	КА/КАР
80	

1.5. _____

Kripsol Карпа КА-300
()

(13)

(10)

(12)

(10)

()

1.6. _____

ВНИМАНИЕ !!!



		585	325	440
--	--	-----	-----	-----

2.

2.1. _____

Kripsol Karpa KA-300



300

Kripsol Karpa KA-300

2.2. _____

Kripsol Karpa KA-300

(),

- 12.1.019-79
- 12.1.013-78
- 12.3.032-84
- 12.3.019-80
- 12.1.030-81
- 153-34.0-03.150-00.

12.3.006-75

12.1.005-88

12.3.009-76

12-03-01.

12-04-02.

12.1.004-91

01-93.

22.0.01-94.

22.3.03-94.

I.

2.

2.3. _____

Kripsol Karpa

KA-300

- _____ (_____)

- _____

- _____

- _____ 1%

- _____ Kripsol Karpa KA-300

- _____ 60%,

- +10 +35

Kripsol Karpa KA-300 :
 Kripsol Karpa KA-300

Kripsol Karpa KA-300

2

2.4. _____

Kripsol Karpa KA-300 :

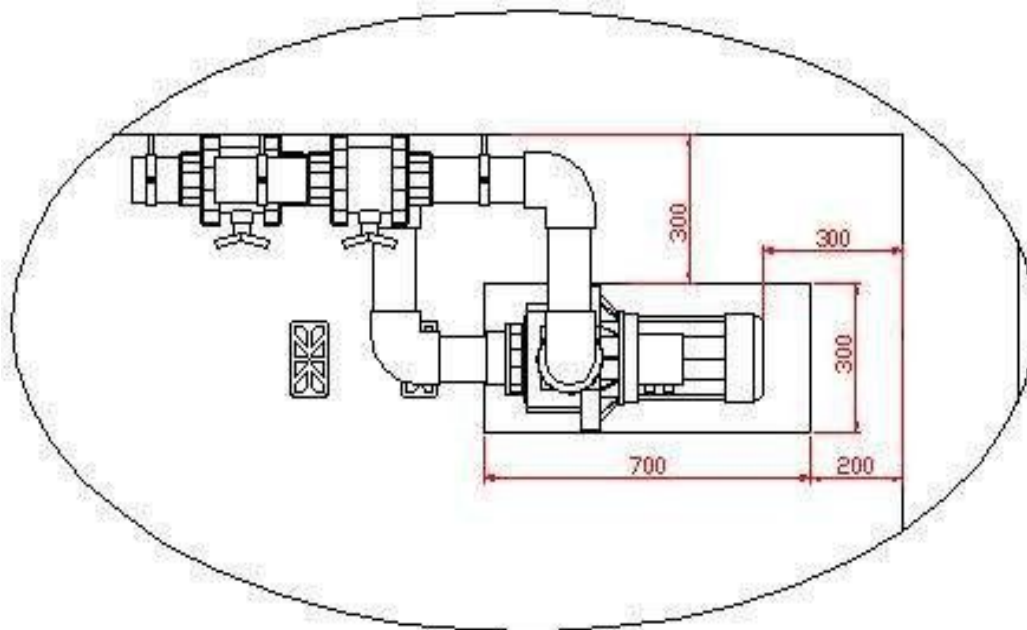
- Kripsol Karpa KA-300 (_____)

- _____ (3) _____

- _____ 100 _____

4.

4

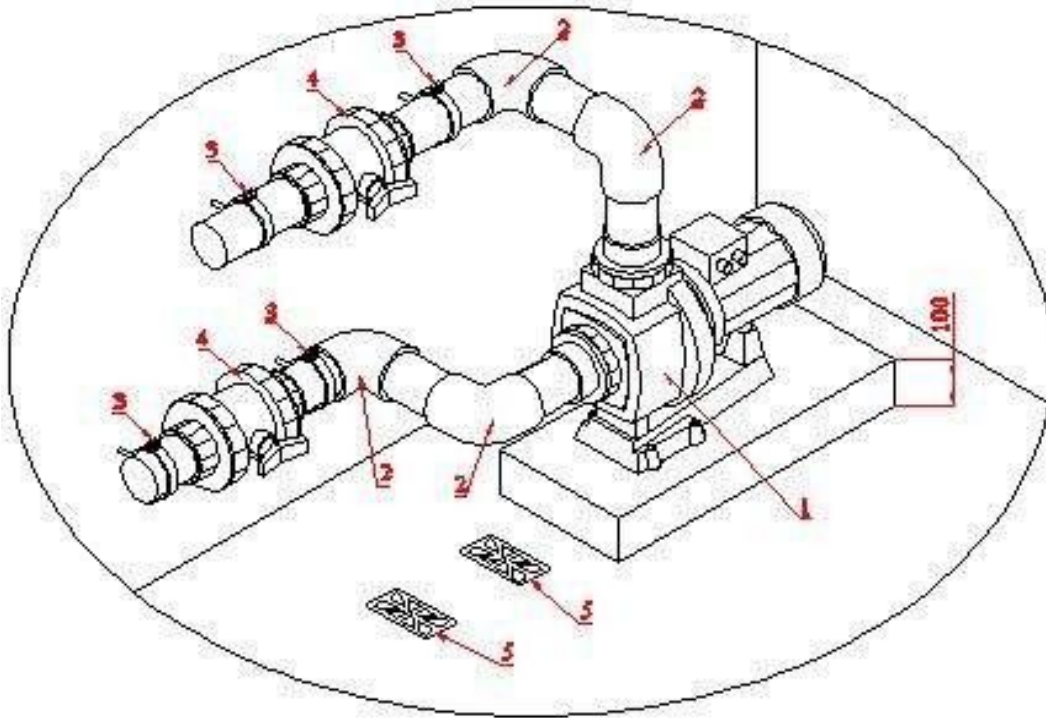


- Kripsol Karpa KA-300 ()

- Koral KS-150. Kripsol

- Kripsol Karpa KA-300 5.

5



5

1	(48 3/ 380) Kripsol Karpa KA-300
2	90 . . 90 Coraplax (7101090)
3	. 90
4	. 90 Coraplax (1010090)
5	()

- ()

- Kripsol Karpa KA-300 (380) 1.
4 1.5 2,

3.

3.1. _____

Kripsol Karpa KA-300

BHITMAHITTE !!!

Kripsol Karpa KA-300

. 2.5 2.6



Kripsol Karpa KA-300



- Kripsol Karpa KA-300

.1.2.

- Kripsol Karpa KA-300

4.2 15150

.1.2.

- Kripsol Karpa KA-300

51232-98

2.1.4.559-96

- Kripsol Karpa KA-300

6

12

(

);

- Kripsol Karpa KA-300

4

- Kripsol Karpa KA-300

- Kripsol Karpa KA-300

- Kripsol Karpa KA-300

);

- Kripsol Karpa KA-300

- Kripsol Karpa KA-300

- Kripsol Karpa KA-300

- Kripsol Karpa KA-300

- Kripsol Karpa KA-300

(

);

3.2. _____

Kripsol Karpa KA-300

+5°C

60%.

Kripsol Karpa KA-300

Kripsol Karpa KA-300

24-

Kripsol Karpa KA-300

.2

3.3. _____

	.1.2.	
	(,)	(: .). , .
		3 , .
	.1.2.	
	(,)	
	/	

3.4. _____

12.3.019-80, "

Kripsol Karpa KA-300

", "



!		Kripsol Karpa KA-300
---	--	----------------------

3.5. _____

4.

4.1. _____.

Kripsol Karpa KA-300

- _____ ;
- _____ ;
- _____ ;
- _____ ;
- _____ ;
- _____ ;



_____ ; Kripsol Karpa KA-300

4.2. _____.

()

. 2.2. . 3.4.

4.3. _____.



! _____ Kripsol Karpa KA-300

. 2.4.

4.4. _____.

Kripsol Karpa KA-300
)

. 2.5.

(

4.5. _____.

- . 1.2. () ;
- . 2.4. ;
- _____ ;
- _____ . 1.2. . 6.

5.

5.1. _____.

ВНИМАНИЕ !!!

_____ ;

5.2. _____.

. 2.2. . 3.4.

Kripsol Karpa KA-300

6. +10° +35°

60%



Empty rectangular box with a border

7. Kripsol Karpa KA-300

Kripsol Karpa KA-300
Kripsol Karpa KA-300

8.

9.

Kripsol Karpa KA-300

«_____» _____ 20_____

10.

«_____» _____ 20_____

1.

2.

3.

12()

4.

30

()

90()

5.

()

6.

7.

8.

8.1.

