

Kripsol Ondina OK-33
(6 3/ 220)

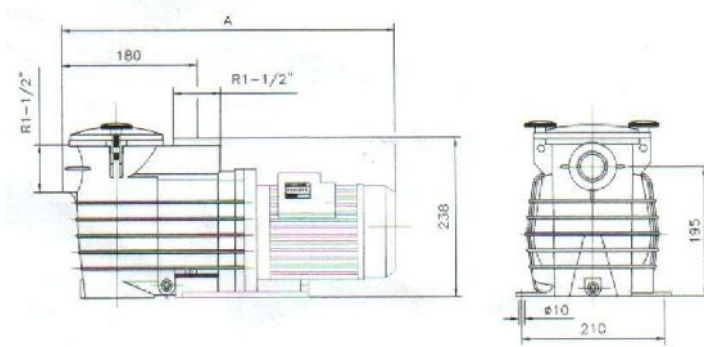


1.

1.1. _____
Kripsol Ondina OK-33

1.2 _____
Kripsol Ondina OK-33

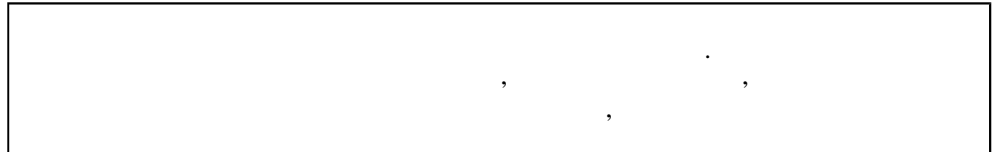
1
1



		475 ()	230	255
--	--	---------	-----	-----

1.3. _____

BHIMAHIE !!!



4.2 15150. Kripsol Ondina OK-33
Kripsol Ondina OK-33

1

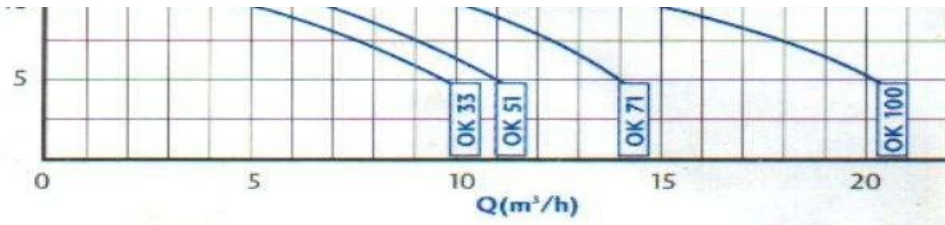
1

		~ 220
	%	± 5%
		0,24
		2,45
	-	I
	-	F
	-	IP 54
		8
	°	+10 +35
	%	60
	°	45
		2,0
		50
		50

Kripsol Ondina OK-33

2

1



		5,0	6	8	10	11	12	14
()	/	9.6	8.9	7	4.8	3	-	-

2

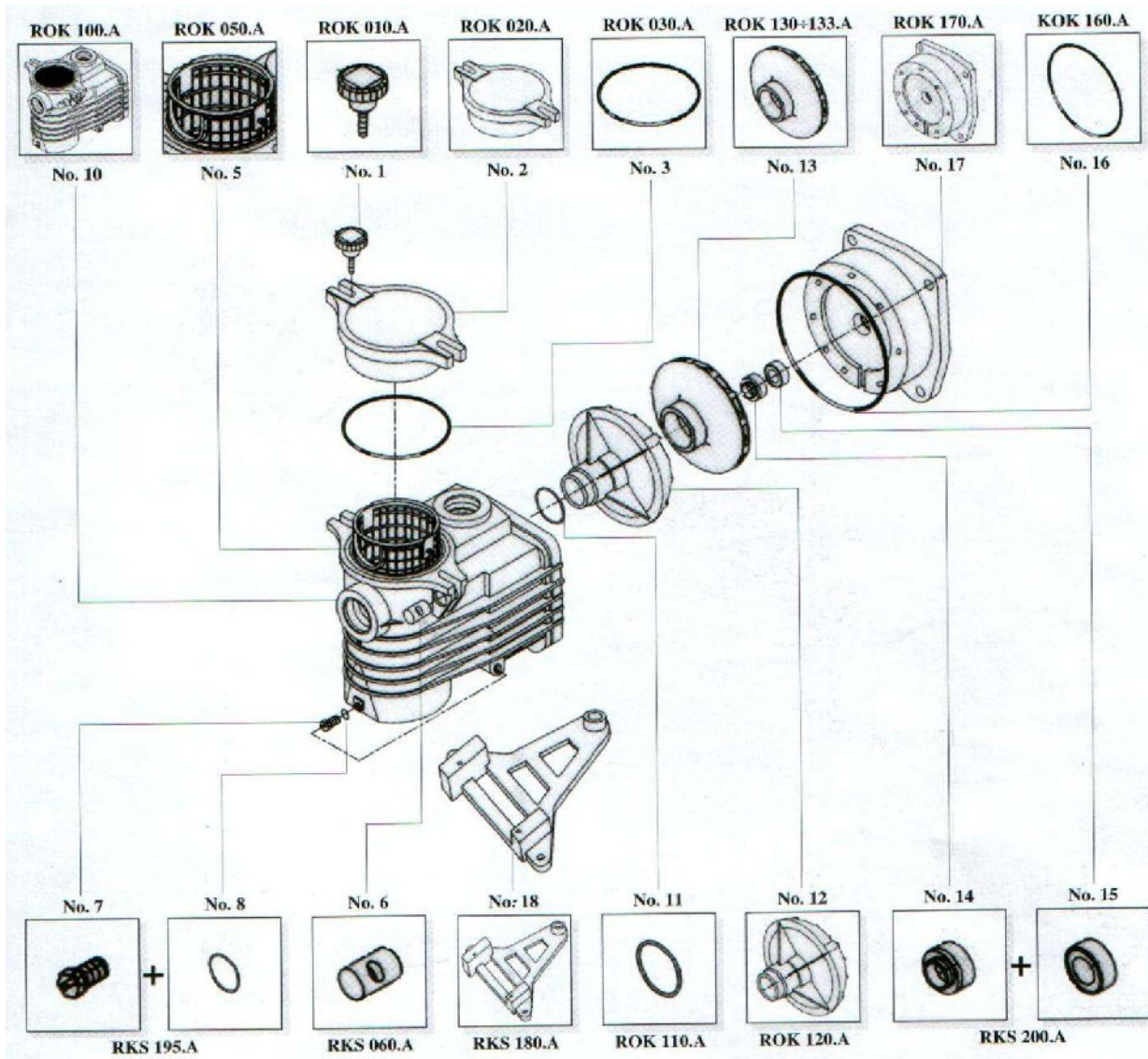
1.4. _____

Kripsol Ondina OK-33

2 3,

3 4

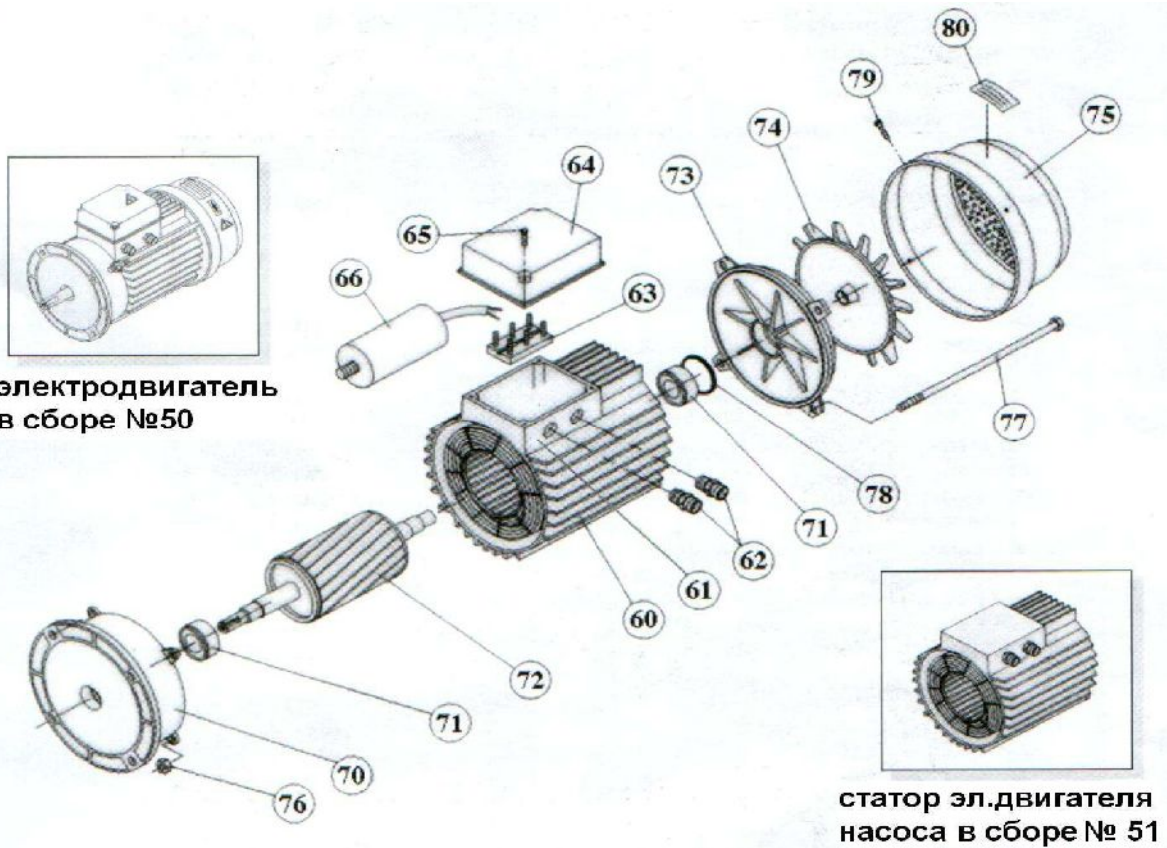
2



		3
1	OK Kripsol ROK 010.A	
2	O Kripsol ROK 020.A	
3	- OK Kripsol ROK 030.A	
5	OK Kripsol ROK 050.A	
6	OK,NK,KS,KAP Kripsol RKS 060.A	
7-8	OK,NK,KS,KAP Kripsol RKS 195.A/7	

10	OK Kripsol ROK 100.A
11	- OK Kripsol ROK 110.A
12	OK Kripsol ROK 120.A
13	OK-33 Kripsol ROK 130.A
14+15	(.2) , KS Kripsol RKS 200.A
16	() OK Kripsol ROK 160.A
17	() OK Kripsol ROK 170.A
18	OK, KS Kripsol RKS 180.A

3



4

50	OK- 33 (220) Kripsol (5011.A)
51	. 33 Kripsol (5111.)
60	. ()
61	()
62	()
63	()
64	NK -33/51/71 Kripsol (6401.)
65	
66	12 (6601.)
70	. OK-33,51,71 (-63) Kripsol (7002.A)
71	(,) . N , Kripsol 6202-ZZ
72	OK-33 Kripsol (7211.)
73	. NK OK-33, 51, 71 (-63) Kripsol (7301.A)
74	. OK- 33, 51, 71 NK-25, 33 (-63) Kripsol (7401.A)
75	OK- 33, 51, 71 NK-25, 33 (-63) Kripsol (7501.A)
76	
77	. OK
78	. OK
79	. OK
80	

1.5. _____
Kripsol Ondina OK-33
()

(13 .2)

(10 .2)

(12 .2).
Kripsol Ondina OK-33

(10)

()

1.6. _____

BHITMAHIIE !!!



		640	260	334

2.

2.1. _____

Kripsol Ondina OK-33



— ;

— 300 ; ;

— ;

— ;

— Kripsol Ondina OK-33 ;

2.2. _____.

Kripsol Ondina OK-33

(), ,

:

12.1.019-79 .

12.1.013-78 .

12.3.032-84 .

12.3.019-80 .

12.1.030-81 .

153-34.0-03.150-00.

()

12.3.006-75 .

12.1.005-88 .

12.3.009-76 .

12-03-01.

12-04-02.

12.1.004-91 .

01-93.

22.0.01-94. .

22.3.03-94. .

I.

2.

2.3. _____.

Kripsol

Ondina OK-33

:

-

(

-

-

1%

-

Kripsol Ondina OK-33

-

60%,

+10 +35

-

-

-

-

Kripsol Ondina OK-33

:

-

Kripsol Ondina OK-33

-

Kripsol Ondina OK-33

-

24-

2.4. _____.

Kripsol Ondina OK-33

:

-

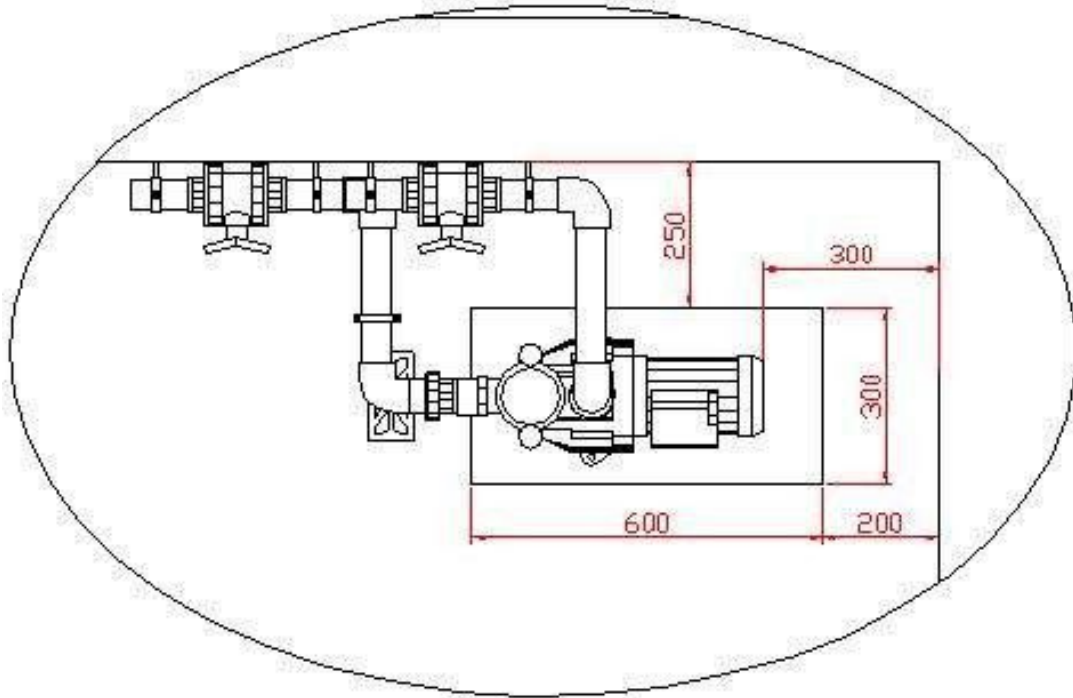
Kripsol Ondina OK-33

((3)

)

100

4.

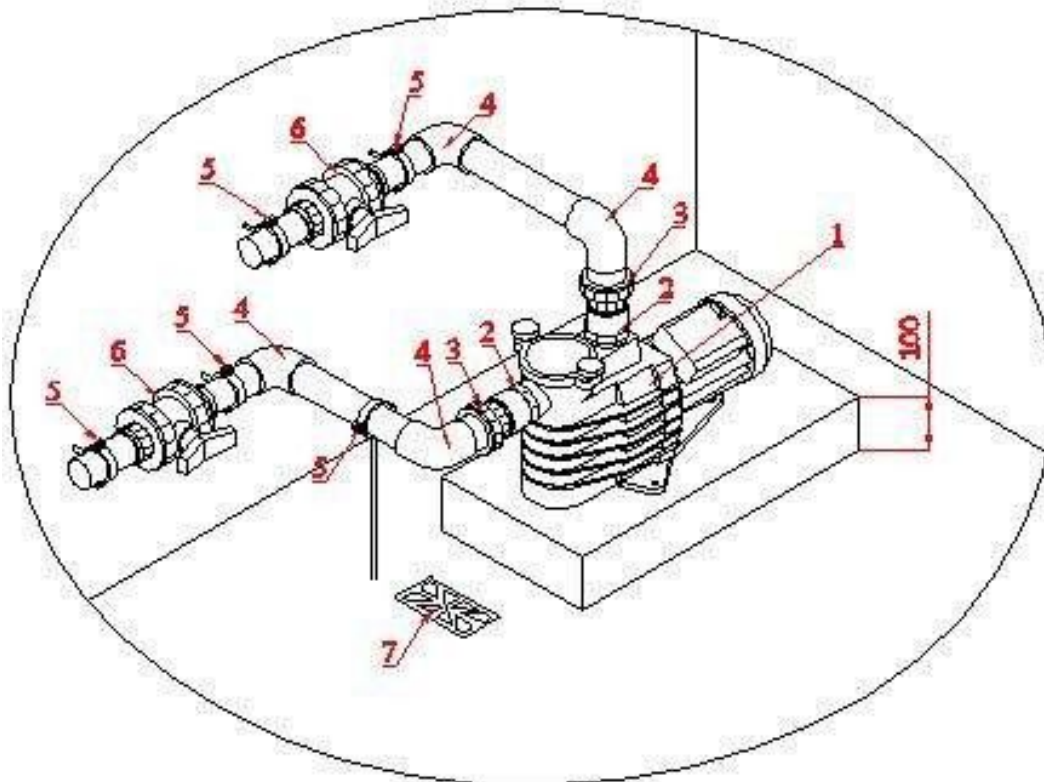


- Kripsol Ondina OK-33 ()
). ()

- Kripsol Ondina OK-33.

- Kripsol Ondina OK-33 5. 5.

5





[Redacted text]

2.6.

[Redacted text]



[Redacted text]

3.

3.1.

[Redacted text]

BHUTMAHIE !!!

Kripsol Ondina OK-33
.2.5 2.6



[Redacted text]

[Redacted text]

— Kripsol Ondina OK-33

— .1.2. ;

— Kripsol Ondina OK-33
4.2 15150 .1.2.

— ;

— .51232-98 Kripsol Ondina OK-33 2.1.4.559-96 ;

— Kripsol Ondina OK-33 6 12

— (

);

— Kripsol Ondina OK-33 4

— Kripsol Ondina OK-33

— ;

— Kripsol Ondina OK-33

— ;

— Kripsol Ondina OK-33 (

—);

— Kripsol Ondina OK-33

— ;

— Kripsol Ondina OK-33

— ;

— Kripsol Ondina OK-33

— (;

— () ;

— Kripsol Ondina OK-33 () ;

3.2. _____

Kripsol Ondina OK-33

+5°C

60%

Kripsol Ondina OK-33

Kripsol Ondina OK-33

24-

Kripsol Ondina OK-33

.2

3.3. _____

4

Kripsol Ondina OK-33

4

	.1.2.	
	(,	(:
)	.	.). ,
		. 3
	.1.2.	
e	(,	
)	
	/	

3.4. _____.

12.3.019-80, "

Kripsol Ondina OK-33

","

".



! , , Kripsol Ondina OK-33 ,

3.5. _____.

4.1. _____.

Kripsol Ondina OK-33

Kripsol Ondina OK-33 ;

-
-
-
-
-



: Kripsol Ondina OK-33 .

4.2. _____.

()

. 2.2. . 3.4.

4.3. _____.



! , , Kripsol Ondina OK-33 ,

4.4. _____.

Kripsol Ondina OK-33

. 2.5.

(

4.5. _____.

. 1.2.

(

)'

. 2.4.

;

-
-
-

,

. 1.2.

. 6.

5. .

5.1. _____.

ВНИМАНИЕ !!!

_____ , _____ , _____

5.2. _____.

.2.2. .3.4. .

6. .

Kripsol Ondina OK-33

+10° , +35° , 60%



_____ : _____ , _____

7. .

Kripsol Ondina OK-33

8. .

Kripsol Ondina OK-33

Kripsol Ondina OK-33

9. .

Kripsol Ondina OK-33

« _____ » _____ 20 _____

10. .

« _____ » _____ 20 _____

1. _____ ; _____ : _____ , _____ , _____ (_____)

2. _____ 12 (_____)

3. _____ :

4. _____ , _____

30 (_____)

90 (_____)

5. _____ (_____)

6.

7.

8.

8.1.

8.2.

8.3.

9.

9.1.

9.2.

10.

11.

12.

13.

14.

15.

16.

17.

18.

19.

()