

Kripsol Koral KS-150
(22 3/ 220)



		5	6	8	10	11	12	14	16	18
()	. /	27,5	25,5	23	21,9	20,8	19,7	16,4	11,8	6,2

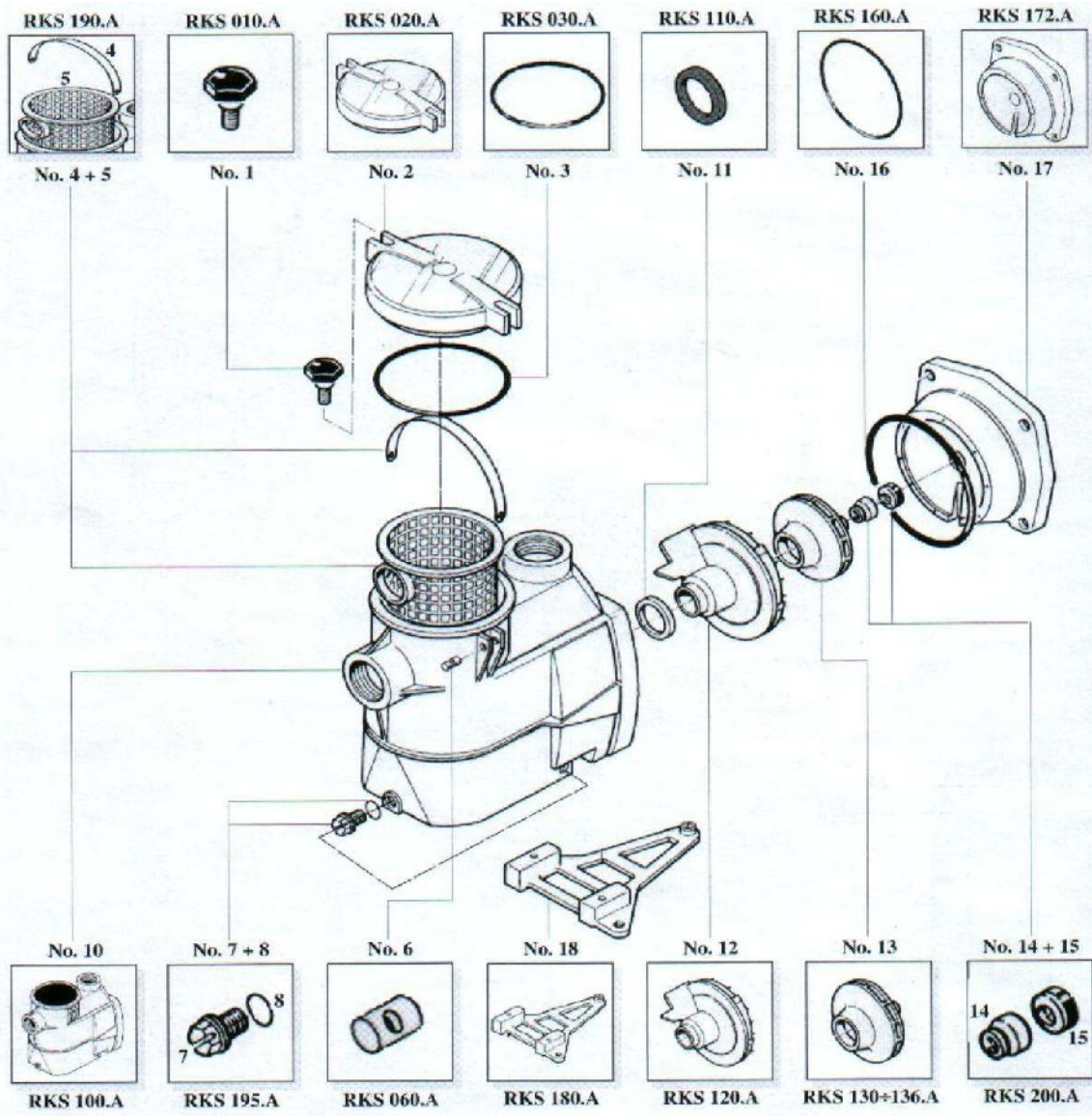
1.4. _____

Kripsol Korál KS-150

2 3,

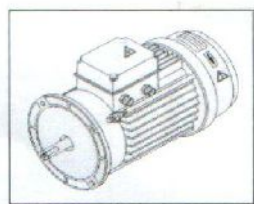
3 4

2

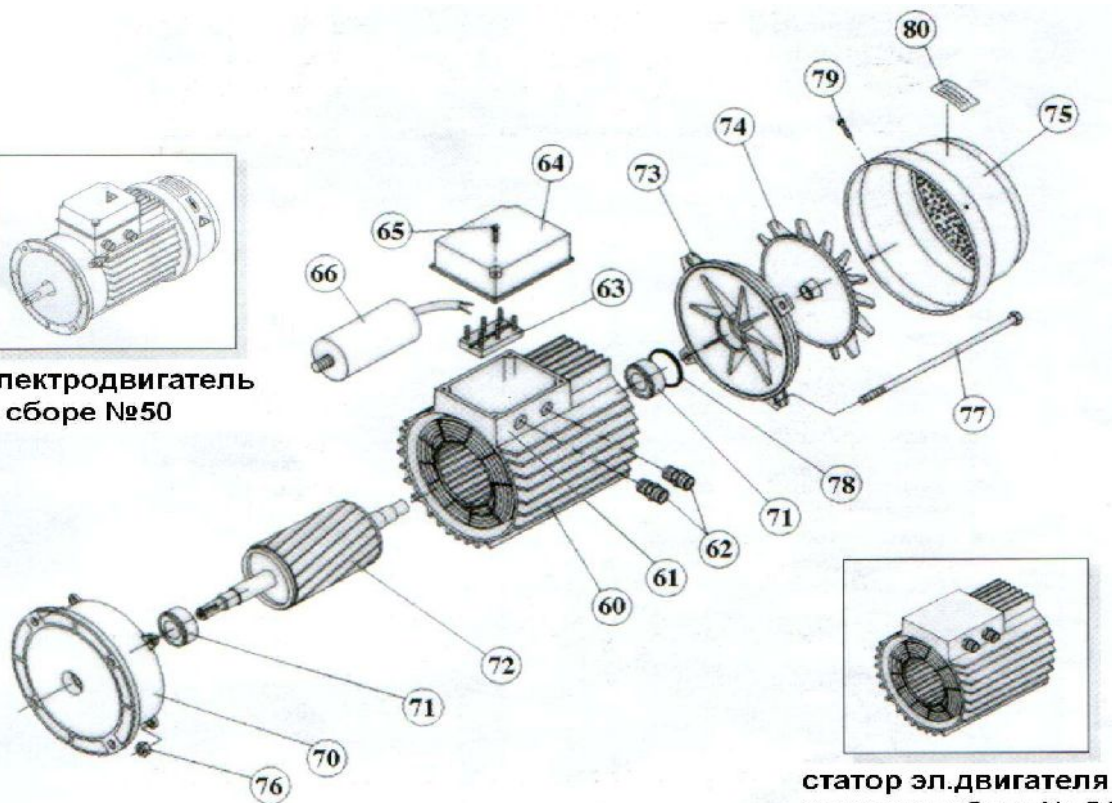


3

1	KS, KAP Kripsol RKS 010.A
2	KS Kripsol RKS 020.A
3	- KS Kripsol RKS 030.A
5	KS Kripsol RKS 190.A/5
6	OK,NK,KS,KAP Kripsol RKS 060.A
7-8	OK,NK,KS,KAP Kripsol RKS 195.A/7
10	KS Kripsol RKS 100.A
11	- KS Kripsol RKS 110.A
12	KS Kripsol RKS 120.A
13	KS-150 Kripsol RKS 134.A
14+15	(.2) , KS Kripsol RKS 200.A
16	() KS Kripsol RKS 160.A
17	() KS Kripsol RKS 172.A
18	OK, KS Kripsol RKS 180.A



электродвигатель
в сборе №50



статор эл.двигателя
насоса в сборе № 51

4

50	KS-150 (220) Kripsol (5031.A)
51	S-150 (220) Kripsol (5131.)
60	()
61	()
62	()
63	()
64	KS-150, 200, 300 KA/KAP-250,300 (-80) Kripsol (6405.)
65	25 (6605.)
70	KS-150, 200, 300 KA/KAP-250,300 (-80) Kripsol (7004.A)
71	() . .KS,KA/KAP(-80) ()KA/KAP(-90) Kripsol 6204-ZZ
71	() . KS-150, 200, 300 KA/KAP-250,300 (-80) Kripsol 6203-ZZ
72	KS-150 Kripsol (7231.)
73	KS, KA/KAP-250,300 (-80) Kripsol (7303.A)
74	KS-150, 200, 300, KA,KAP-250, 300 (-80) Kripsol (7403.A)
75	KS-150, 200, 300 KA/KAP-250,300 (-80) Kripsol (7503.A)
76	
77	KS
78	KS
79	KS
80	

1.5. _____
Kripsol Koral KS-150

()

(13 .2)

(10 .2)

(12

.2).

Kripsol Koral KS-150

(10)

()

1.6. _____.

BHIMAHHE !!!

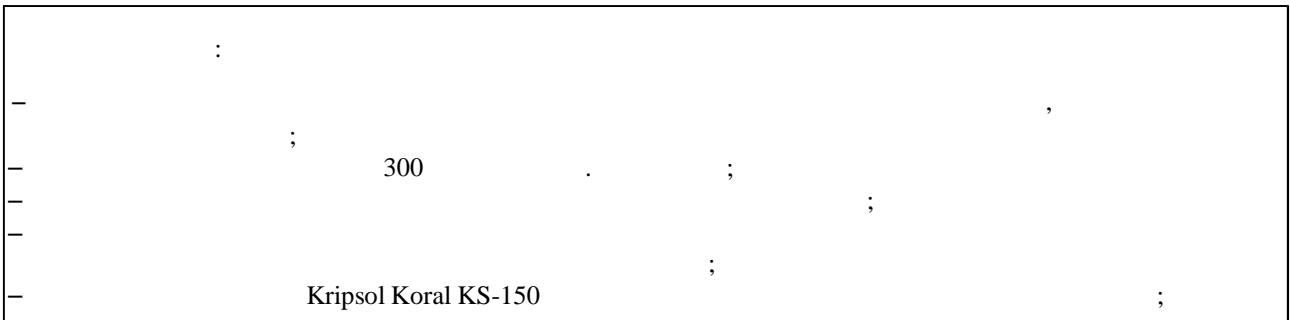


		640	260	334

2.

2.1. _____.

Kripsol Koral KS-150



2.2. _____.

Kripsol Koral KS-150

(),

- 12.1.019-79 .
- 12.1.013-78 .
- 12.3.032-84 .
- 12.3.019-80 .
- 12.1.030-81 .
- 153-34.0-03.150-00.

12.3.006-75 .

12.1.005-88 .

12.3.009-76 .

12-03-01. .

12-04-02. .

12.1.004-91 .

01-93. .

22.0.01-94. .

22.3.03-94. .

I.

2.

2.3. _____

Kripsol Koral KS-150

— : _____ (,)

— , ,

— ,

— Kripsol Koral KS-150 1%

— +35 60%, +10

— Kripsol Koral KS-150 :

— Kripsol Koral KS-150 ,

— Kripsol Koral KS-150 24-

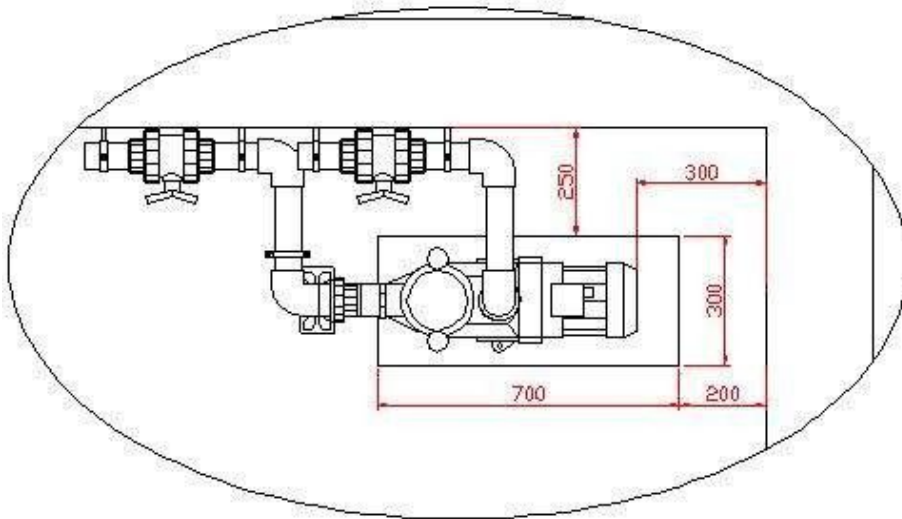
2.4. _____

Kripsol Koral KS-150

Kripsol Koral KS-150

(3)
100

4
4



Kripsol Koral KS-150

()
()

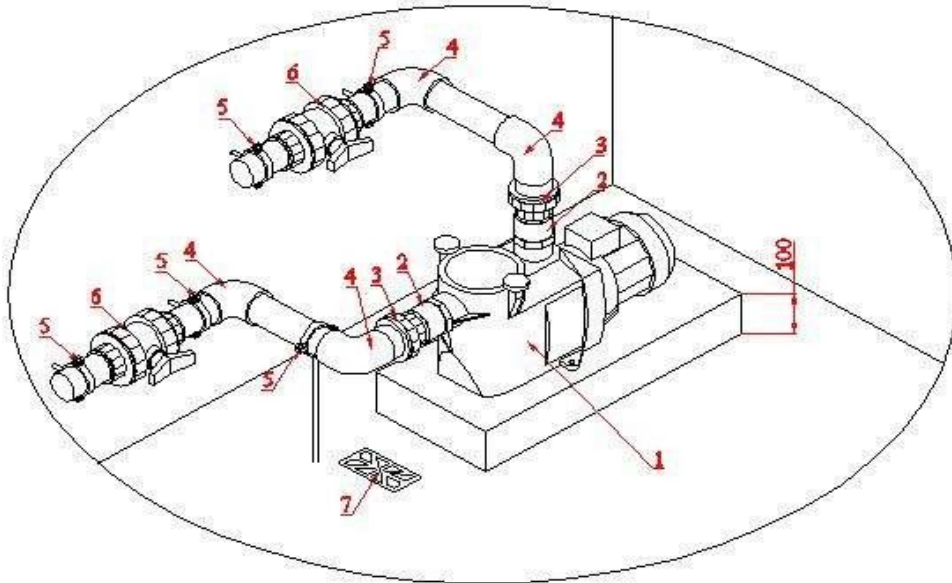
150.

Kripsol Koral KS

Kripsol Koral KS-150

5.

5.

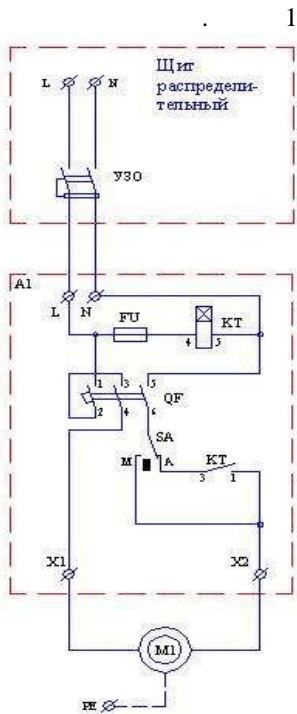


5

1	(22 3/ 220) Kripsol Koral KS-150
2	. 63/75-2" Coraplax (7308063)
3	. 63 Coraplax (7414063)
4	90 . . 63 Coraplax (7101063)
5	. 63
6	. 63 Coraplax (1010063)
7	()

— Kripsol Koral KS-150 (220)

1.
3 1.5 2,

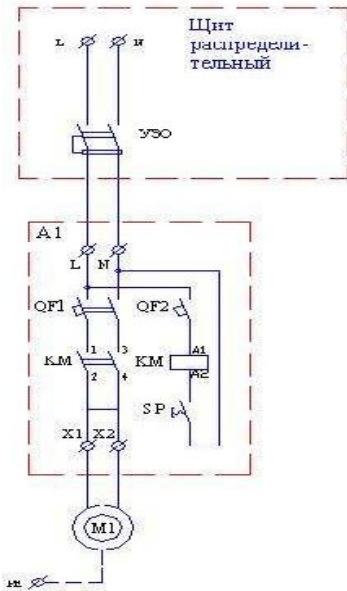


1	(1) 230v -100*
1	Kripsol Koral KS-150
QF	3- . 10A
КТ	-100, -25
FU	/ . -100
SA	3- . ()

* (1) 230v -100
(1) 230v -100.

—)
Kripsol Koral KS-150 (220)

2.
3 1.5 2,



1	220-02 *
1	Kripsol Koral KS-150 (220)
QF1	3- .10A
QF2	1- .6A
	B-7-40-00 14A
S	

*

220-02

220-02 .

Kripsol Koral KS-150

:

2.5.

Kripsol Koral KS-150

2.6.

.1.2.

3.1.

Kripsol Koral KS-150



! , Kripsol Koral KS-150 , .



- Kripsol Koral KS-150
 .1.2. ;
 - Kripsol Koral KS-150
 4.2 15150 .1.2. ;
 - Kripsol Koral KS-150
 51232-98 2.1.4.559-96 ;
 - Kripsol Koral KS-150 6 12
 ();
 - Kripsol Koral KS-150 4 ;
 - Kripsol Koral KS-150 , , ,
 , ;
 - Kripsol Koral KS-150 ;
 - Kripsol Koral KS-150 ;
 - Kripsol Koral KS-150 (;
 - Kripsol Koral KS-150) ;
 - Kripsol Koral KS-150 ;
 - Kripsol Koral KS-150 ;
 - Kripsol Koral KS-150 ();
 - Kripsol Koral KS-150 ;
 - Kripsol Koral KS-150 (;
 - Kripsol Koral KS-150 ();

3.2. _____ .

Kripsol Koral KS-150 ,
 +5°C 60%.
 Kripsol Koral KS-150 ,
 Kripsol Koral KS-150

24- ,
 Kripsol Koral KS-150 .2

3.3. _____ .

4 Kripsol Koral KS-150

	.1.2.	
	(,)	(: ..).
		3
	.1.2.	
e		
	(,)	
	/	

3.4. _____

12.3.019-80, "

Kripsol Koral KS-150

","

".



!	Kripsol Koral KS-150
---	----------------------

3.5. _____

4.

4.1. _____

Kripsol Koral KS-150

Kripsol Koral KS-150



_____ : Kripsol Koral KS-150

4.2. _____

()

.2.2. .3.4.

4.3. _____



! _____ Kripsol Koral KS-150

.2.4.

4.4. _____

Kripsol Koral KS-150
)

.2.5.

(

4.5. _____

.1.2. ()

.2.4.

;

:

.1.2. .6.

5.

5.1. _____

BHIMAHIE !!!

5.2. _____

.2.2. .3.4.

Kripsol Koral KS-150

+10°

+35°

60%



Empty rectangular box for notes or answers.

6.

7.
Kripsol Koral KS-150

8.

Kripsol Koral KS-150

Kripsol Koral KS-150

9.

Kripsol Koral KS-150

«_____» _____ 20_____

10.

«_____» _____ 20_____

1.

()

2.

12()

3.

:

4.

30()

90()

5.

()

6.

7.

8.

8.1.

8.2.

8.3.

9.

9.1.

9.2.

10.

11.

12.

13.

14.

15.

16.

17.

18.

19.

()

14()

90()