

Kripsol Karpa KA-450
(78 3/ 380)



1.

1.1. _____.

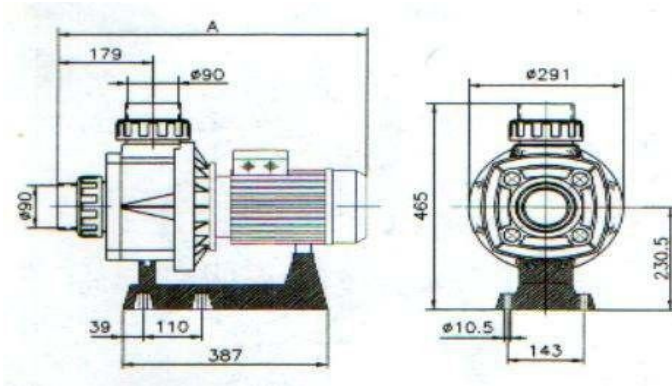
Kripsol Karpa KA-450

_____ : _____ (_____ , _____ , _____)
 _____ ;

1.2 _____.

Kripsol Karpa KA-450

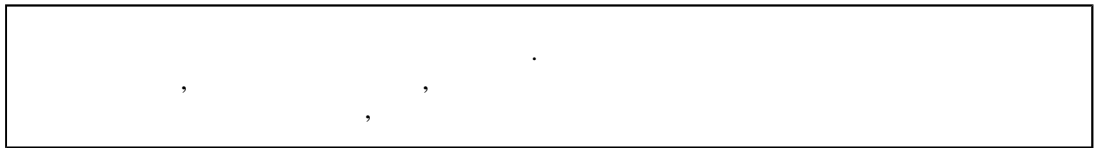
1 1
1



| | | | | |
|--|--|---------|-----|-----|
| | | | | |
| | | 581 () | 291 | 465 |

1.3. _____.

ВНИМАНИЕ !!!



Kripsol Karpa KA-450

4.2

15150.

Kripsol Karpa KA-450

1

1

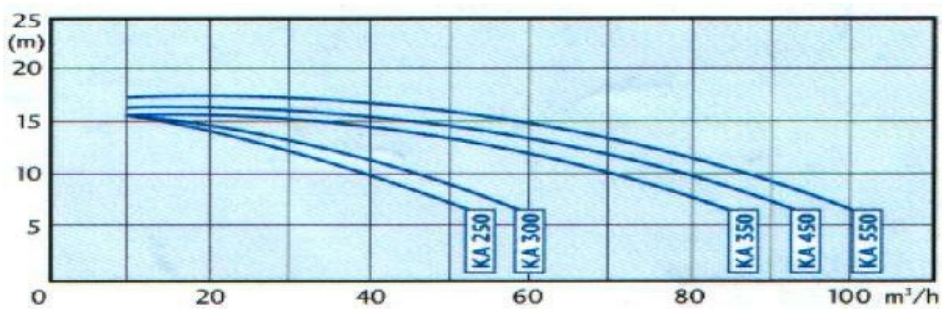
| | | |
|--|---|---------|
| | | |
| | | ~ 380 |
| | % | ± 4% |
| | | 4.04 |
| | | 6.75 |
| | - | I |
| | - | F |
| | - | IP 54 |
| | | 26.8 |
| | ° | +10 +35 |
| | % | 60 |
| | ° | 45 |
| | | 2,5 |
| | | 90 |
| | | 90 |

Kripsol Karpa KA-450

2

1

1

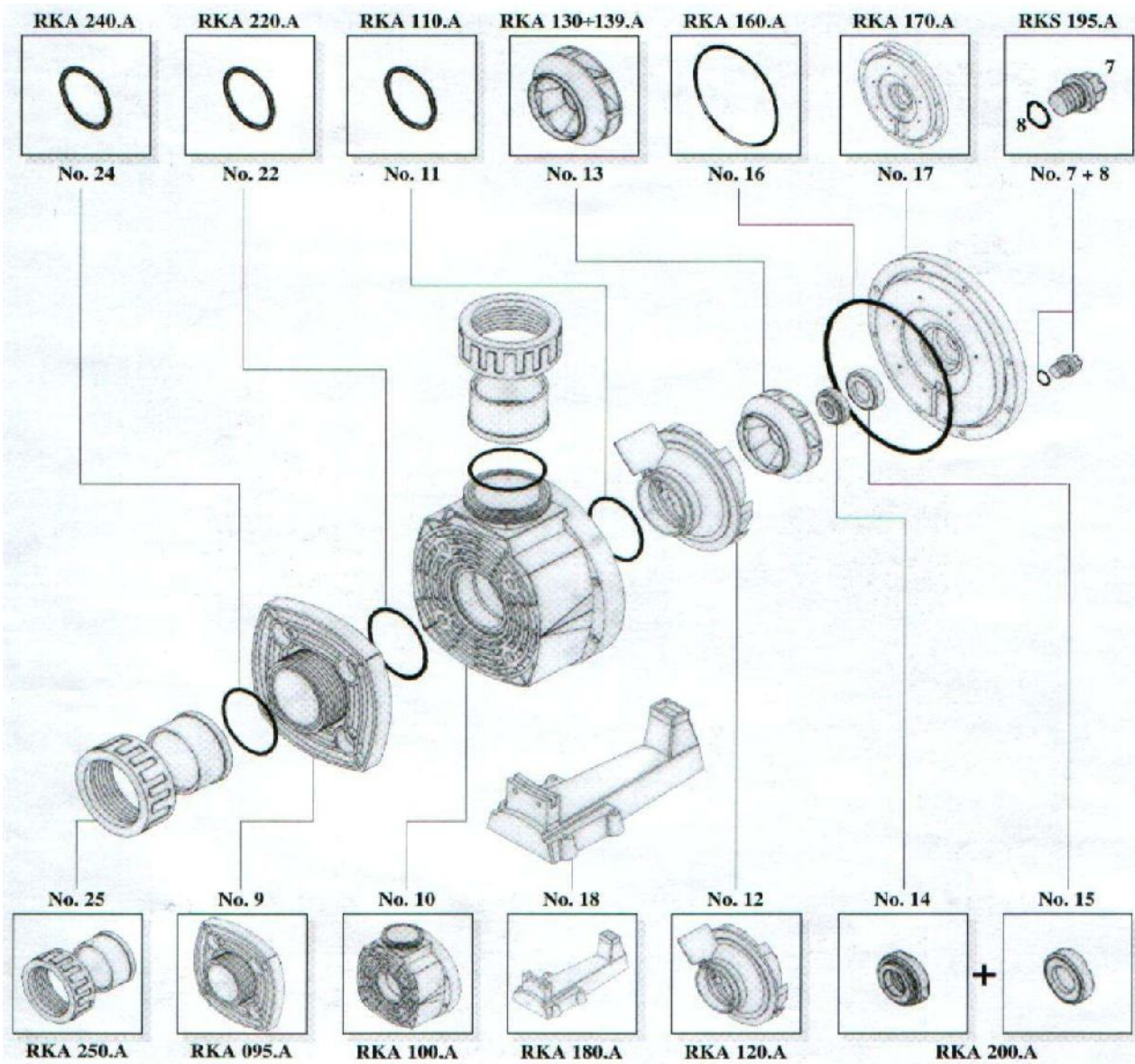


| | | | | | | | | | |
|-----|-----|----|----|----|----|----|----|----|----|
| | | 6 | 8 | 10 | 12 | 14 | 16 | 18 | 20 |
| () | . / | 94 | 88 | 78 | 68 | 55 | 24 | - | - |

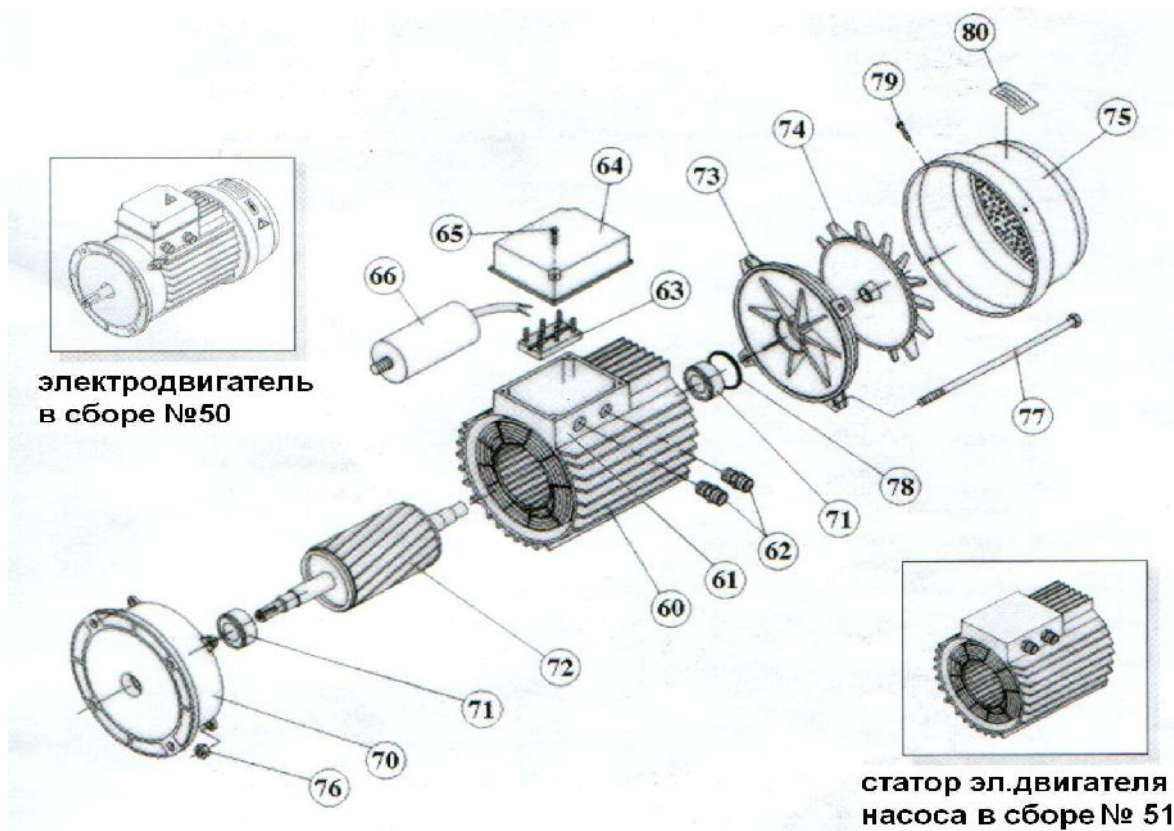
1.4. _____

Kripsol Karpa KA-450

4



| | |
|-------|----------------------------------|
| 7+8 | OK,NK,KS,KAP Kripsol RKS 195.A/7 |
| 9 | KA Kripsol RKA 095.A |
| 10 | KA, KAP Kripsol RKA 100.A |
| 11 | - KA, KAP Kripsol RKA 110.A |
| 12 | KA/KAP Kripsol RKA 120.A |
| 13 | KA-450 Kripsol RKA 137.A |
| 14+15 | (.2) KA/KAP Kripsol RKA 200.A |
| 16 | () KA/KAP Kripsol RKA 160.A |
| 17 | () / Kripsol RKA 170.A |
| 18 | KA,KAP Kripsol RKA 180.A |
| 22 | - KA/KAP Kripsol RKA 220.A |
| 24 | - , Kripsol RKA 240.A |
| 25 | , .90 Kripsol RKA 250.A |



| | |
|----|---|
| 50 | КА/КАР-450 (380) Kripsol (5046.A) |
| 51 | КА/КАР-450 (380) Kripsol (5146.A) |
| 60 | () |
| 61 | () |
| 62 | () |
| 63 | () |
| 64 | КА/КАР-350,450 (-90) Kripsol (6407.) |
| 65 | |
| 66 | |
| 70 | КА/КАР-250,300,350,450 (-90) Kripsol (7005.A) |
| 71 | () . КА/КАР-250,300,350,450 (-90) Kripsol 6205-ZZ |
| 71 | (.) . .KS,КА/КАР(-80)(.)КА/КАР(-90) Kripsol 6204-ZZ |
| 72 | КА/КАР-450 (380) Kripsol (7246.) |
| 73 | КА/КАР-250,300,350,450 (-90) Kripsol (7304.A) |
| 74 | КА,КАР-250,300,350,450 (-90) Kripsol (7404.A) |
| 75 | () КА/КАР-250,300,350,450 (-90) Kripsol (7504.A) |
| 76 | |
| 77 | КА/КАР |
| 78 | КА/КАР |
| 79 | КА/КАР |
| 80 | |

- 1.5. _____
 Kripsol Karpa KA-450
 () (13 .2) (10 .2)
 (12 .2).

(10)

()

1.6. _____

BHITMAHIIE !!!



| | | | | |
|--|--|-----|-----|-----|
| | | | | |
| | | 585 | 325 | 440 |

2.

2.1. _____

Kripsol Karpa KA-450



— ;

— ; 300 ;

— ;

— ;

— ;

— Kripsol Karpa KA-450 ;

2.2. _____

Kripsol Karpa KA-450

(), ,

- 12.1.019-79 .
- 12.1.013-78 .
- 12.3.032-84 .
- 12.3.019-80 .
- 12.1.030-81 .
- 153-34.0-03.150-00. ()

12.3.006-75 .

- 12.1.005-88 .
- 12.3.009-76 .
- 12-03-01. I.
- 12-04-02. 2.
- 12.1.004-91 .
- 01-93. .

- 22.0.01-94. .
- 22.3.03-94. .

2.3. _____.

Kripsol Karpa

KA-450

_____ :

- _____ (_____)
- _____
- _____
- _____ 1%
- _____ Kripsol Karpa KA-450
- _____ 60%,
+10 +35

Kripsol Karpa KA-450

Kripsol Karpa KA-450

Kripsol Karpa KA-450

2

2.4. _____.

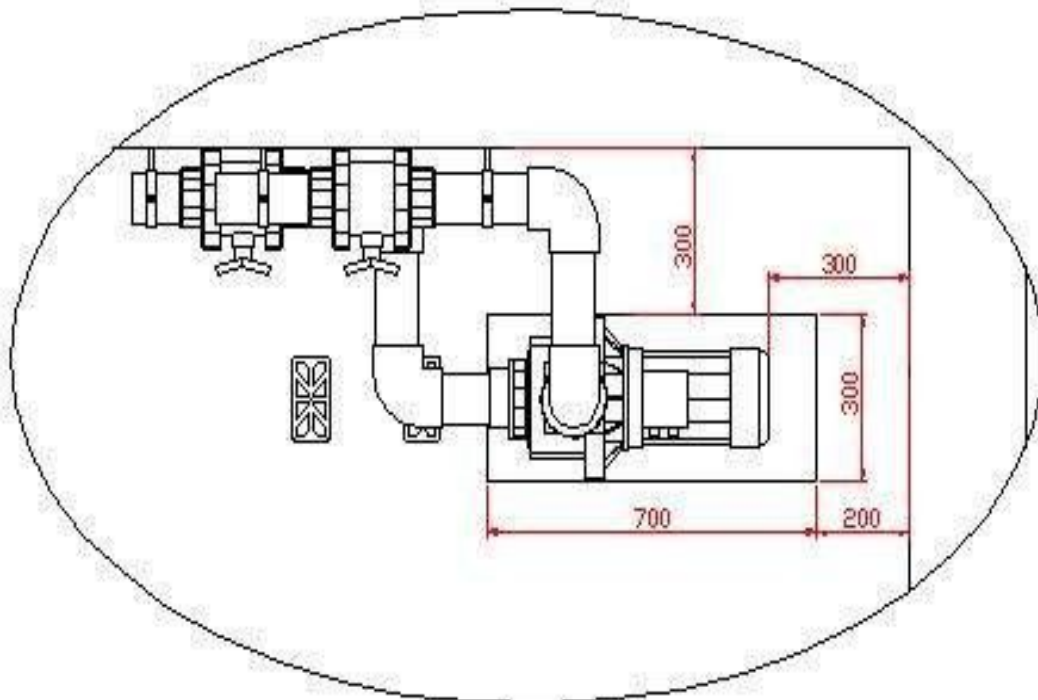
Kripsol Karpa KA-450

:

- _____ Kripsol Karpa KA-450 (_____)
(_____ 3) _____ 100

4.

4

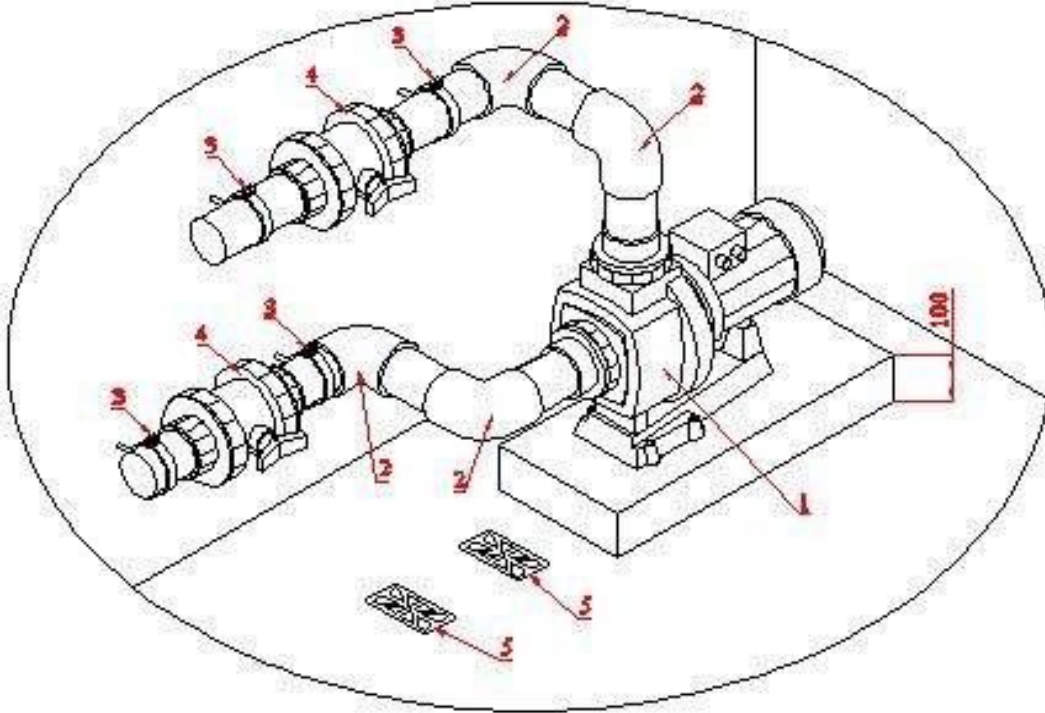


- Kripsol Karpa KA-450 ()

- Koral KS-150. Kripsol

- Kripsol Karpa KA-450 5.

5



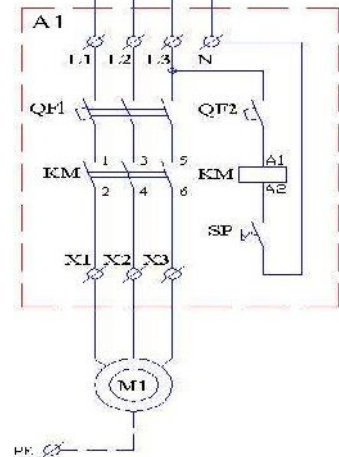
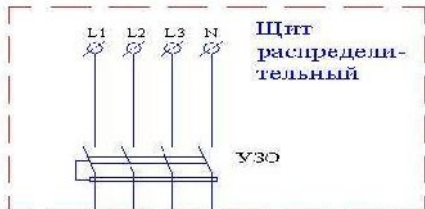
5

| | |
|---|------------------------------------|
| 1 | (78 3/ 380) Kripsol Karpa KA-450 |
| 2 | 90 . .90 Coraplast (7101090) |
| 3 | .90 |
| 4 | .90 Coraplast (1010090) |
| 5 | () |

(, ,)

- Kripsol Karpa KA-450 (380)

1.
4 1.5 2,



| | |
|-----|------------------------------------|
| | |
| 1 | 380-05 * |
| 1 | KA/KAP-450 (380) Kripsol (5046.A) |
| QF1 | 3- . 10A |
| QF2 | 1- . 6A |
| | B-7-40-00 14A |
| S | |

*
05

380-

380-05 .

Kripsol Karpa KA-450

- ;
 - ;
 - ;
 - ;
 - ;
 - ;
 - ;
 - ;
 - ;

2.5.

Kripsol Karpa KA-450

- ;
 - ;
 - ;
 - ;
 - ;
 - ;
 - ;
 - ;
 - ;



;

2.6.

1.2.

- ;
 - ;
 - ;
 - ;



;

3.

3.1. _____

Kripsol Karpa KA-450

BHITMAHIE !!!

Kripsol Karpa KA-450
.2.5 2.6



Kripsol Karpa KA-450



- Kripsol Karpa KA-450
 .1.2. ;
 - Kripsol Karpa KA-450
 4.2 15150 .1.2. ;
 - Kripsol Karpa KA-450
 51232-98 2.1.4.559-96 ;
 - Kripsol Karpa KA-450 6 12
 ();
 - Kripsol Karpa KA-450 4 ;
 - Kripsol Karpa KA-450
 ;
 - Kripsol Karpa KA-450
 ;
 - Kripsol Karpa KA-450 (;
);
 - Kripsol Karpa KA-450 ,
 ;
 - Kripsol Karpa KA-450
 ;
 - Kripsol Karpa KA-450 ();
) ;
 - Kripsol Karpa KA-450 ();

3.2. _____

Kripsol Karpa KA-450
 +5°C 60%.
 Kripsol Karpa KA-450
 Kripsol Karpa KA-450

24-

Kripsol Karpa KA-450 .2

3.3. _____

| | | |
|--|-------|-------|
| | | |
| | .1.2. | |
| | (,) | (:) |
| | | |
| | | 3 |
| | .1.2. | |
| | | |
| | | |
| | | |
| | (,) | |
| | | |
| | / | |
| | | |

3.4. _____.

12.3.019-80, "

Kripsol Karpa KA-450

", "

".



| | | |
|---|--|----------------------|
| ! | | Kripsol Karpa KA-450 |
|---|--|----------------------|

3.5. _____.

4.

4.1. _____.

Kripsol Karpa KA-450

- _____ ;
- _____ ;
- _____ ;
- _____ ;
- _____ ;
- _____ ;



_____ : Kripsol Karpa KA-450

4.2. _____.

()

. 2.2. . 3.4.

4.3. _____.



! _____ Kripsol Karpa KA-450

. 2.4.

4.4. _____.

Kripsol Karpa KA-450
)

. 2.5.

(

4.5. _____.

- . 1.2. () ;
- . 2.4. ;
- _____ . 1.2. . 6.

5.

5.1. _____.

BHITMAHIE !!!

5.2. _____.

. 2.2. . 3.4.

Kripsol Karpa KA-450

6.

+10° +35°

60%



[Empty rectangular box]

7.

Kripsol Karpa KA-450

8.

Kripsol Karpa KA-450

Kripsol Karpa KA-450

9.

Kripsol Karpa KA-450

«_____» _____ 20_____

10.

«_____» _____ 20_____

1.

2.

3.

4.

5.

6.

7.

8.

8.1.

()

12()

30

90()

()

